

Features:

- 2 ~ 8 circuits available
- ① • Material: Nylon 9T, UL 94V-0
- Accepts ALEX 2531T terminal
- Accepts ALEX 2532C-xx terminal position assurance retainer
- ② • UL file No.: E114003

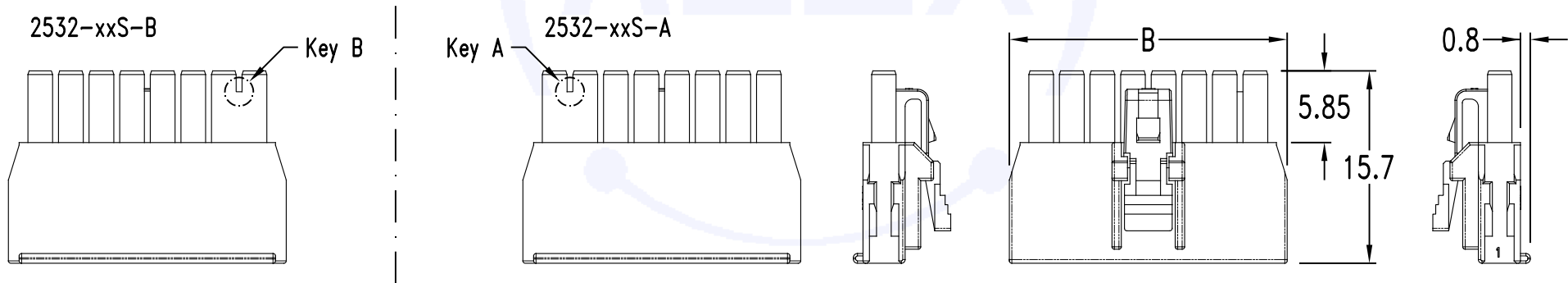
Specification:

- ③ • Current rating: 6.5A AC, DC for 2 poles  
4.5A AC, DC for other poles
- Voltage rating: 250V AC, DC
- Insulation resistance: 1000MΩ Min.
- Dielectric withstanding voltage: 1500V AC/minute
- Ambient temperature range: -40°C ~ 105°C

Dimensional Information ( mm )

Circuits	Dim. A	Dim. B
N	2.5 x ( N - 1 )	2.5 x N + 2.7

&& N = 2 ~ 8



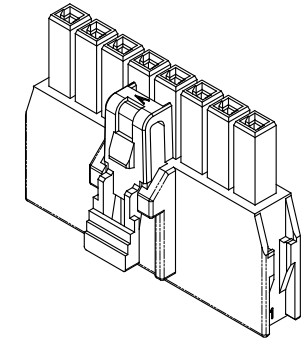
RoHS compliant

Rev.	DESCRIPTION	DATE	APPD.
1	Change material	2018/8/20	林泰克
2	Add UL file No. & Change current rating	2019/6/12	林泰克

Ordering Information

Part No.	Color	Mating parts: Headers
2532-xxS-A	Black	2533-xxS-A, 2534-xxS-A
2532-xxS-B	Natural	2533-xxS-B, 2534-xxS-B

&& xx = 02 ~ 08



發行  
 2019.06.12  
 亞式文管

CUSTOMER APPROVAL

UNLESS OTHERWISE SPECIFIED TOLERANCE

- .000 ± 0.08 ( mm )
- .00 ± 0.25 ( mm )
- .0 ± 0.4 ( mm )

UNIT:mm

Material:

Finish:

Q'ty:

APPROVAL

- DRAWN: 張惇捷
- DESIGNED: 林泰克
- CHECKED: 劉宏彬
- APPROVED: 劉宏彬

DATE

- 2017/5/05
- 2017/5/05
- 2017/5/05
- 2017/5/05



ALEX CONNECTOR CO., LTD.

TITLE: .098"(2.5mm) Single Row Receptacle Housing

P/N: 2532-xxS Series

Eng. No.: 2532H-xx00Rx-36