

Features:

- 4 ~ 16 circuits available
- ⚠️ • Material: Nylon 9T, UL 94V-0
- Accepts ALEX 2531T terminal
- Accepts ALEX 2532C-xx terminal position assurance retainer
- ⚠️ • UL file No.: E114003

Specification:

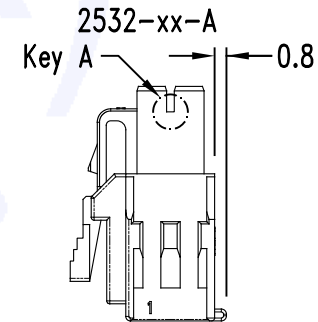
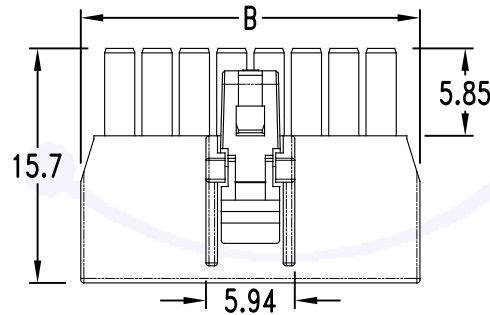
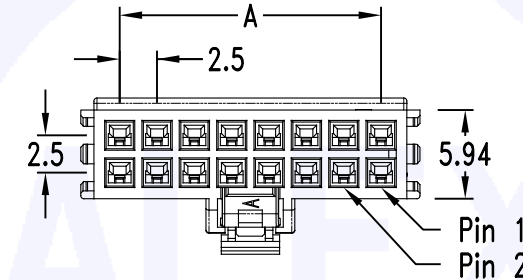
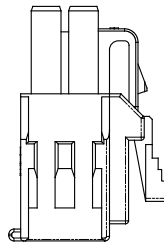
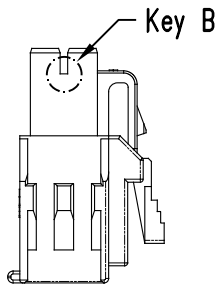
- ⚠️ • Current rating: 4.5A AC, DC
- Voltage rating: 250V AC, DC
- Insulation resistance: 1000MΩ Min.
- Dielectric withstanding voltage: 1500V AC/minute
- Ambient temperature range: -40°C ~ 105°C

Dimensional Information (mm)

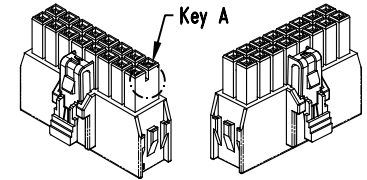
Circuits	Dim. A	Dim. B
N	1.25 x N - 2.5	1.25 x N + 2.7

&& N = 4 ~ 16

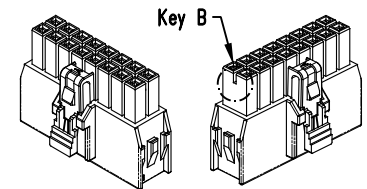
2532-xx-B



2532-xx-A



2532-xx-B



RoHS compliant

Ordering Information

Part No.	Color	Mating part: Headers
2532-xx-A	Black	2533-xx-A, 2534-xx-A
2532-xx-B	Natural	2533-xx-B, 2534-xx-B

&& xx = 04 ~ 16

Rev.	DESCRIPTION	DATE	APPD.
1	Change material	2018/8/20	林泰克
2	1) Change current rating to 4.5A 2) Add UL file No.	2019/6/11	林泰克

發行
2019.06.11
亞式文管

CUSTOMER APPROVAL

UNLESS OTHERWISE SPECIFIED TOLERANCE
 .000 ± 0.08 (mm)
 .00 ± 0.25 (mm)
 .0 ± 0.4 (mm)

UNIT:mm

Material:

Finish:

Q'ty:

APPROVAL

DRAWN: 張惇捷

DESIGNED: 林泰克

CHECKED: 劉宏彬

APPROVED: 劉宏彬

DATE

2017/5/05

2017/5/05

2017/5/05

2017/5/05



ALEX CONNECTOR CO., LTD.

TITLE: .098"(2.5mm) Dual Row Receptacle Housing

P/N: 2532-xx Series

Eng. No.: 2532H-xx00Rx-36