

Rev.	DESCRIPTION	DATE	APPD.
1	Change Dim. 7.25 to 7.4	2018 8/22	林泰克
2	Change Current rating to 6.5A	2019 6/11	林泰克

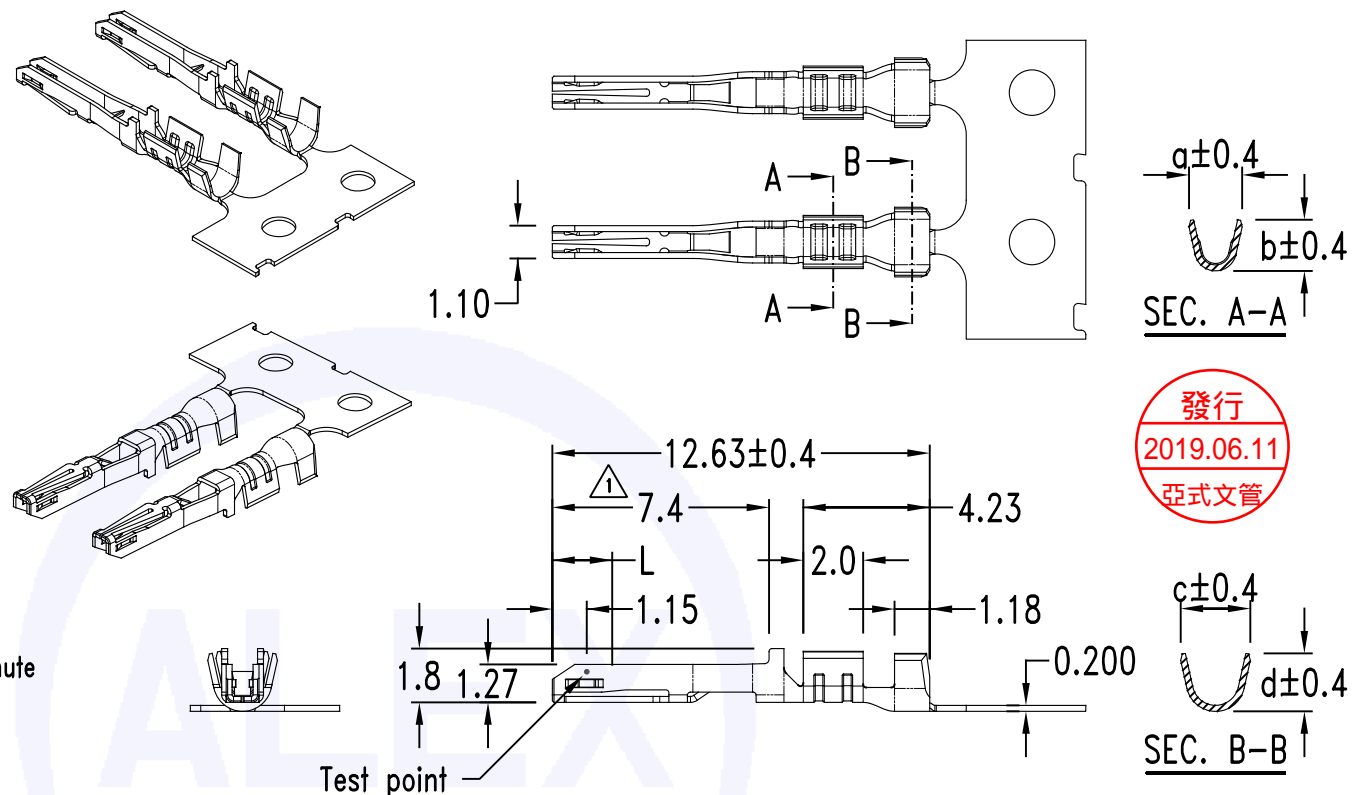
Features:

RoHS compliant

- Material: High conductivity copper alloy
- Used in ALEX 2532-xxS, 2532-xx housings
- Wire range: #20 ~ #26 AWG

Specification:

- △ • Current rating: 6.5A AC, DC
- Voltage rating: 250V AC, DC
- Contact resistance: 10mΩ Max.
- Dielectric withstanding voltage: 1500V AC/minute
- Ambient temperature range: -40°C ~ 105°C



發行
2019.06.11
亞式文管

Ordering & dimensional Information (mm)

Part No.	Finished	Wire range	Dim. a	Dim. b	Dim. c	Dim. d
2531T1	Tin-plated 100u" over nickel 30u"	#24 ~ #26 (O.D. ϕ 1.27mm Max.)	1.39	1.45	2.12	2.0
2531T1-xGC	Gold-flash xu" over nickel 30u" in contact area (Dim. L: 2.0). Other: Nickel-plated 30u"					
2531T1-xGF	Gold-flash xu" over nickel 30u" in contact area (Dim. L: 2.0). Other: Gold-flash over nickel 30u"	#20 ~ #22 (O.D. ϕ 1.57mm Max.)	1.78	1.71	2.33	1.94
2531T2	Tin-plated 100u" over nickel 30u"					
2531T2-xGC	Gold-flash xu" over nickel 30u" in contact area (Dim. L: 2.0). Other: Nickel-plated 30u"					
2531T2-xGF	Gold-flash xu" over nickel 30u" in contact area (Dim. L: 2.0). Other: Gold-flash over nickel 30u"					

CUSTOMER APPROVAL

UNLESS OTHERWISE SPECIFIED TOLERANCE

.000 ± 0.08 (mm)

.00 ± 0.25 (mm)

.0 ± 0.4 (mm)

UNIT:mm

Material:

Finish:

Q'ty:

APPROVAL

DRAWN: 林泰克 2017 5/02

DESIGNED: 林泰克 2017 5/02

CHECKED: 劉宏彬 2017 5/02

APPROVED: 劉宏彬 2017 5/02



ALEX CONNECTOR CO., LTD.

TITLE: .098"(2.5mm) Crimp Terminal

P/N: 2531T Series

Eng. No.: 2531T-1x02LB-36